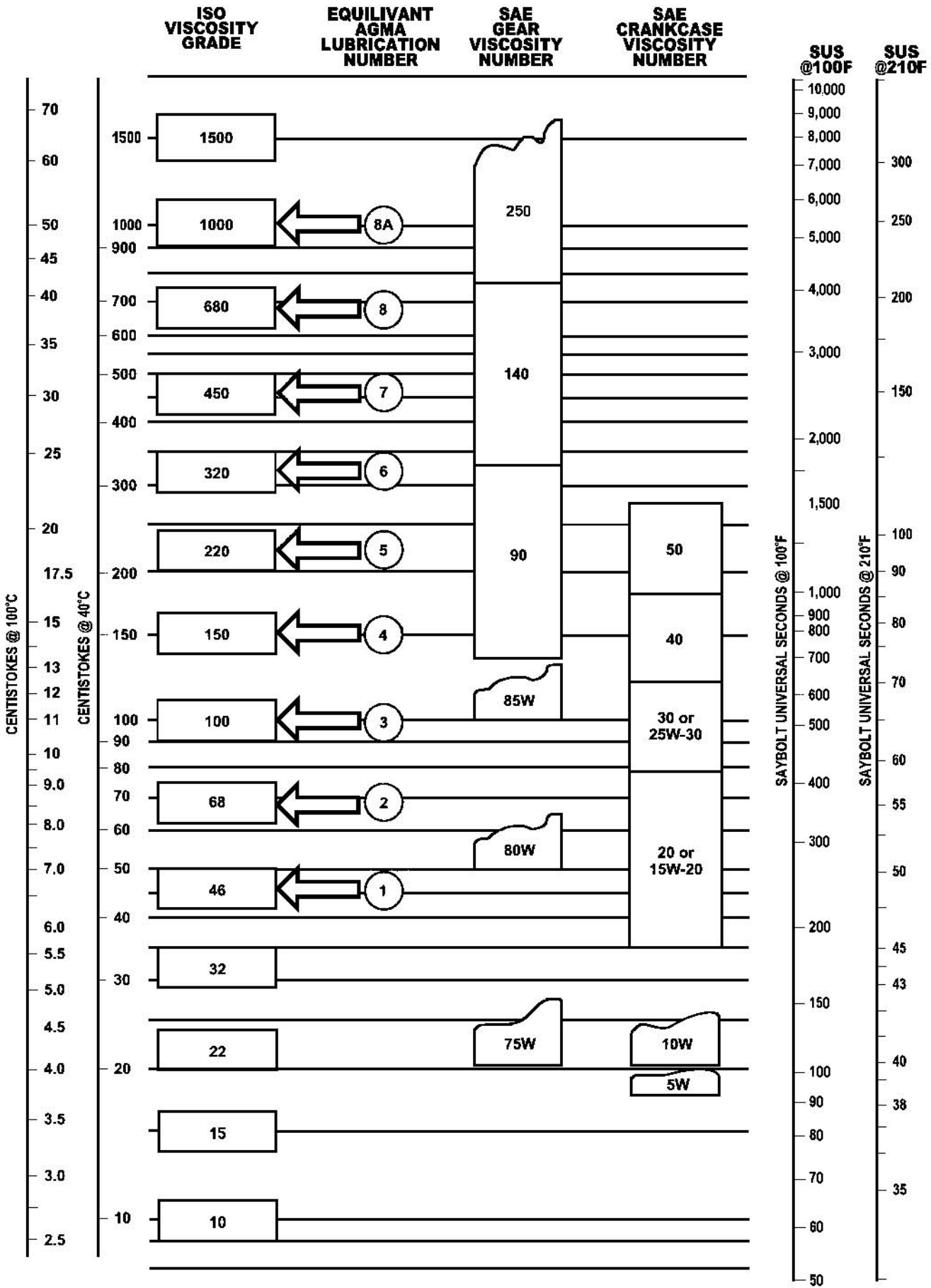


COMPARATIVE VISCOSITY CLASSIFICATIONS



VISCOSITIES AT VARIOUS TEMPERATURES ASSUME 95 VI OILS

Note: Viscosities at various temperatures are related horizontally
 SAE gear and crankcase specifications are at 100°C only.
 Multigrade oil viscosities are not representative at other temperatures



Synthetic Lubricants & Filters, Inc.
 7401 University Drive • Shreveport, LA 71105

800-637-5126 • 318-797-3330
 Mobile: 866-797-3325
 Fax: 318-797-3335
 Web Site: www.sifl.net